

- You may photocopy this sheet and use it as an order form.
- Sie können dieses Blatt kopieren und als Bestellformular verwenden.
- Vous pouvez photocopier cette feuille et l'utiliser comme bon de commande.
- Dit blad kan gecopieerd en als bestelformulier gebruikt worden.
- Potete fotocopiare questo foglio e usarlo come modulo di commissione.

SHIMANO RSX Dual Control Lever

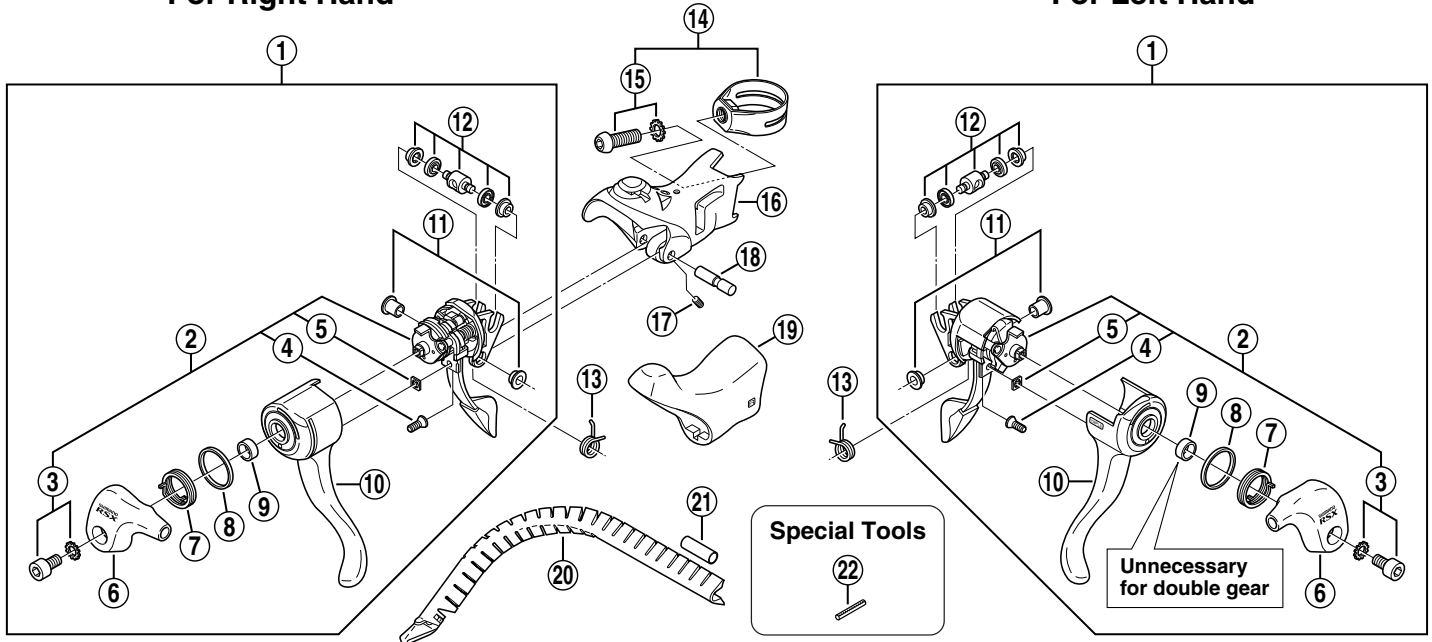
ST-A416 ST-A417

Double Gear Triple Gear

Jan. 1999

For Right Hand

For Left Hand



ITEM NO.	SHIMANO CODE NO.	DESCRIPTION
1	Y-6CB98010	R.H. Main Lever Assembly
	Y-6CB98020	L.H. Main Lever Assembly for Double Gear
2	Y-6CC98010	L.H. Main Lever Assembly for Triple Gear
	Y-6CB98030	R.H. Release Lever Unit & Small Parts
	Y-6CB98040	L.H. Release Lever Unit & Small Parts for Double Gear
3	Y-66E 98050	Cap Fixing Bolt (M5 x 10) & Teethed Washer
	Y-66E 32000	Release Lever Fixing Screw
5	Y-66E 46000	Non-Turn Washer
6	Y-65F 56200	R.H. Outer Support Cap
	Y-65F 02200	L.H. Outer Support Cap for Double Gear
	Y-65F 08100	L.H. Outer Support Cap for Triple Gear
7	Y-66E 73000	R.H. Main Lever Return Spring
	Y-66E 40000	L.H. Main Lever Return Spring for Double Gear
	Y-6AE 16000	L.H. Main Lever Return Spring for Triple Gear
8	Y-66E 75000	Main Lever Ring for R.H./L.H. Triple Gear
	Y-66E 16000	Main Lever Ring for L.H. Double Gear
9	Y-66E 88000	Main Lever Spacer for R.H./L.H. Triple Gear
10	Y-6CB98050	R.H. Main Lever
	Y-6CB98060	L.H. Main Lever for Double Gear
	Y-6CC98030	L.H. Main Lever for Triple Gear
11	Y-85Z 98010	Lever Axle Bush Unit
12	Y-85Z 98020	Cable Hook Unit
13	Y-87G 09000	R.H. Return Spring
	Y-87G 10000	L.H. Return Spring
14	Y-8TK 98010	Clamp Band Unit (φ 23.8 mm – φ 24.2 mm)
15	Y-67D 98190	Clamp Bolt (M6 x 18) & Teethed Washer
16	Y-8TK 98030	R.H. Bracket
	Y-8TK 98040	L.H. Bracket
17	Y-884 14000	Lever Axle Fixing Screw
18	Y-87G 05000	Lever Axle
19	Y-85Z 98050	Bracket Covers (Pair)
20	Y-86B 90010	Outer Cable Guide
21	Y-877 11000	Outer Cable Joint (Option)
22	Y-130 03100	Return Spring Installation Tool (TL-ST02)